

New Tubes

for uDiskOnChip (Horizontal and Low Profile)

Product Update, February 2006

Description

A new tube has been released for uDiskOnChip in the horizontal and low profile configurations.

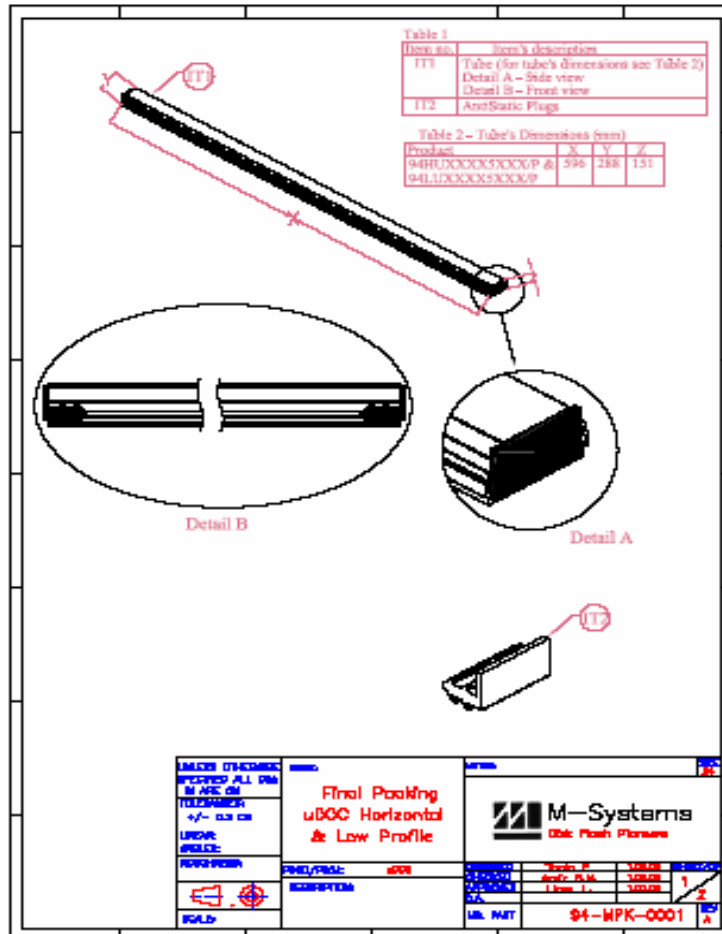
Reason for Change

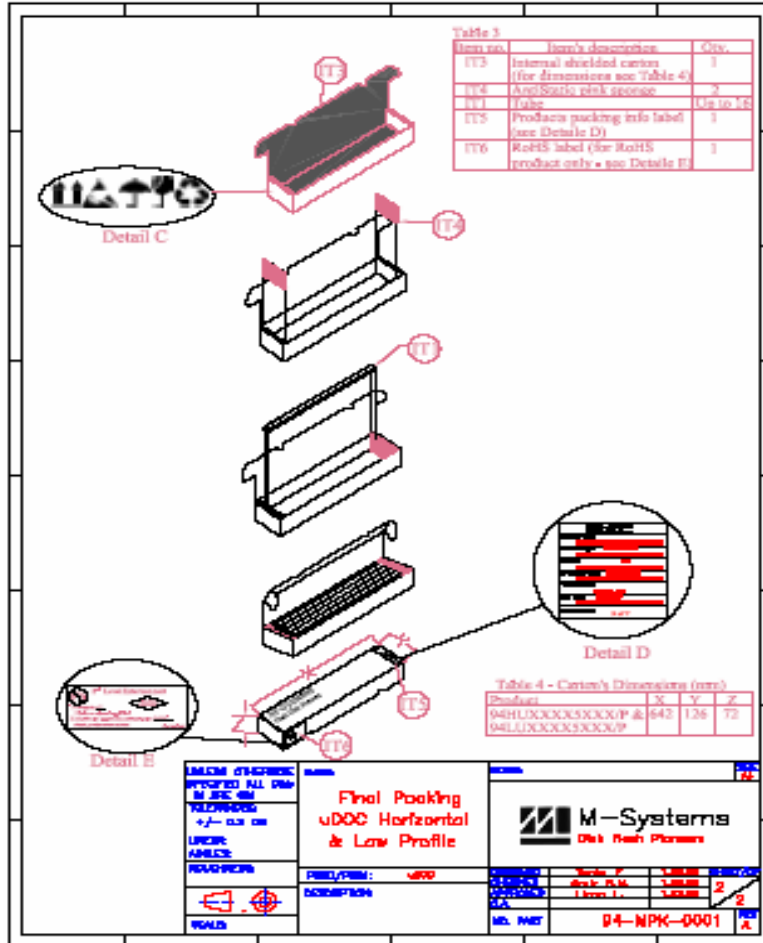
The new tube results in improved packaging and more reliable shipping.

Availability

March 2006

Specifications





How to Contact Us

Please contact your M-Systems representative or visit the Embedded Systems section of the M-Systems website (www.m-systems.com) for any further information or assistance.

Liran Lanir
Modular Product Manager
Embedded Division